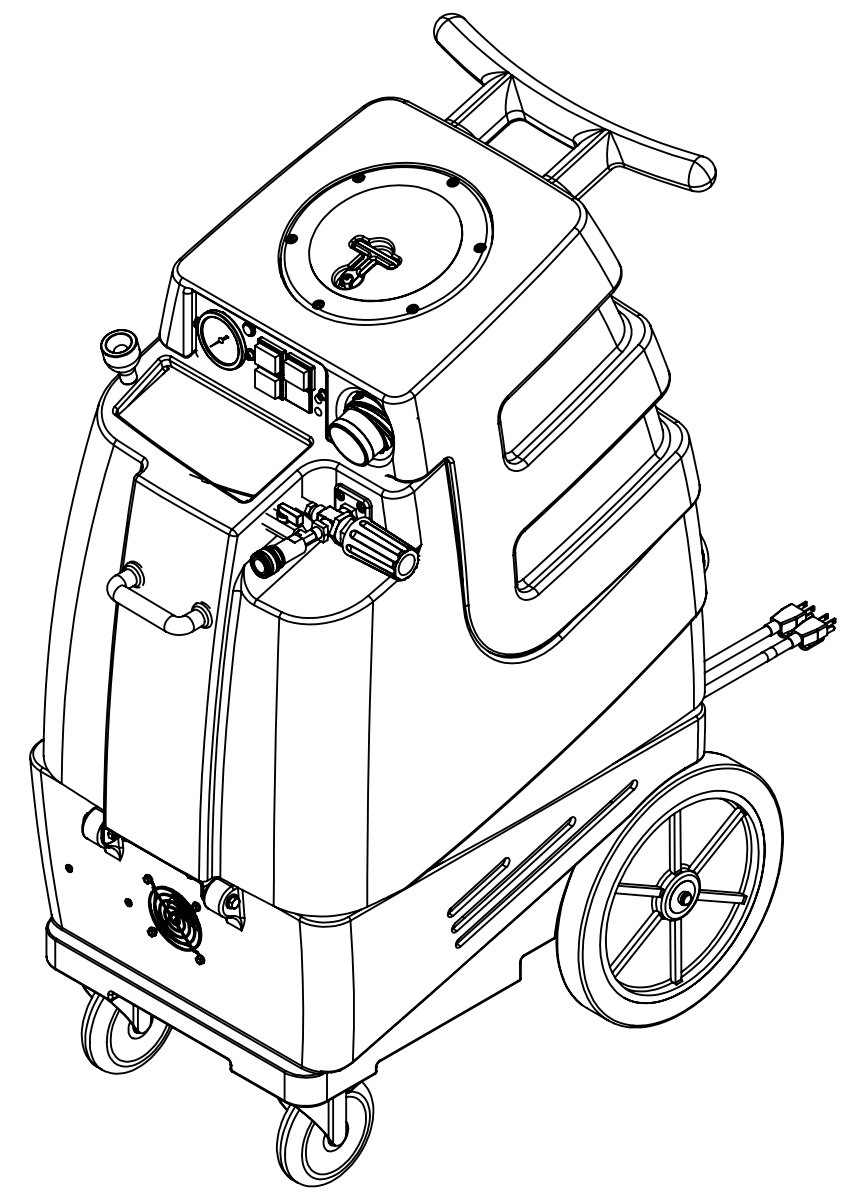


| ITEM NO. | PART NO. | DESCRIPTION | QTY. | MSRP |
|----------|----------|--|------|-------------|
| 1 | H296 | guard, cooling fan, wire | 3 | \$2.99 ea |
| 2 | H343 | screw, #10 x 5/8" hex head zinc | 12 | \$0.99 ea |
| 3 | H273 | nut, kep, #10-32 zinc | 4 | \$0.99 ea |
| 4 | E370 | controller, water level, dual pump or vac | 1 | \$94.99 ea |
| 5 | H186 | screw, 10-32 x 3/4, phil flat full thread | 2 | \$0.99 ea |
| 6 | H378 | bracket, front hinge, sp/fb | 1 | \$8.99 ea |
| 7 | H210 | washer, 1/4" flat, s/s | 26 | \$0.99 ea |
| 8 | H213 | washer, 1/4" lock, s/s | 10 | \$0.99 ea |
| 9 | H201 | bolt, 1/4-20 x 1/2", hex head, zinc | 2 | \$0.99 ea |
| 10 | H216 | nut, lock, 1/4-20, nylon insert, s/s | 14 | \$0.99 ea |
| 11 | H316 | bolt, 1/4x1-1/2", hex head zinc | 2 | \$0.99 ea |
| 12 | H342 | bolt, 1/4-20 x 1" hex head, s/s | 8 | \$0.99 ea |
| 13 | H666 | caster, 5", Black hub & gray tread | 2 | \$23.19 ea |
| 14 | P731 | base, speedster | 1 | \$141.99 ea |
| 15 | H254 | washer, axle, cut 1/2" id | 4 | \$0.99 ea |
| 16 | H371 | axle, 18.03" x .50" dia | 1 | \$9.99 ea |
| 17 | H251 | wheel, 12" | 2 | \$41.99 ea |
| 18 | H042 | c-clip, 12mm, external | 2 | \$0.99 ea |
| 19 | E550 | power cord, pigtail, 30", 12/3, black | 2 | \$11.49 ea |
| 20 | H220 | fitting, strain relief, cord | 2 | \$3.19 ea |
| 21 | H221 | nut, lock, 1/2" steel | 2 | \$1.99 ea |
| 22 | H912 | bracket, rear, fb/spy | 1 | \$9.99 ea |
| 23 | H307 | washer, star, 1/4" steel zinc | 2 | \$0.99 ea |
| 24 | H770 | bolt, 1/4-20 x 1/2" serrated hex flange, zinc | 8 | \$0.99 ea |
| 25 | H202 | bolt, 1/4x20x3/4" hex head | 4 | \$0.99 ea |
| 26 | B246 | plug, brass, 3/8" mpt, hex | 1 | \$1.99 ea |
| 27 | B186 | elbow, brass, 90 deg, 3/8"mpt x 3/8" fmpt | 2 | \$8.99 ea |
| 28 | B105 | bushing, brass, 3/8"mpt x 1/4" | 1 | \$3.19 ea |
| 29 | B260A | qd, brass, 1/4" mqd x fpt | 2 | \$8.99 ea |
| 30 | B259A | qd, brass, 1/4" fqd x fpt | 2 | \$15.99 ea |
| 31 | B644 | adapter, brass, 1/2" barb x 1/4" mpt | 1 | \$2.49 ea |
| 32 | PH615-37 | sol hose, 1/2" kuri, 100 psi | 1 | \$8.99 ft |
| 33 | B173 | ferrule, 1/2", brass | 2 | \$0.99 ea |
| 34 | B160 | adapter, brass, 1/2" barb x 3/8" fsw, ball end | 1 | \$3.49 ea |
| 35 | B652 | elbow, brass, 90 deg, 3/8"mpt x 1/4"mpt | 1 | \$8.49 ea |
| 36 | B107 | nipple, brass, 1/4"m, hex | 4 | \$3.19 ea |
| 37 | B643 | adapter, brass, 3/8" fnpt x 1/4" mnpt | 1 | \$4.99 ea |
| 38 | B113 | tee, brass, 1/4" fpt | 1 | \$6.99 ea |
| 39 | AH184 | hose, pulse BLK 49"(OAL), 1/4"fswl x 1/4"fswl | 1 | \$19.99 ea |
| 40 | C313A | pump, CAT, 50-500 PSI, 120/240v | 1 | \$599.99 ea |
| 41 | H768 | bolt, 1/4-20 x 3/4" serrated hex flange, zinc | 2 | \$0.99 ea |
| 42 | H211 | washer, 1/4" id x 1" od, flat, s/s | 6 | \$0.99 ea |
| 43 | G052 | washer, buna 1-1/8" od x 3/16" id | 6 | \$1.99 ea |
| 44 | H485 | handle, breeze and dx | 1 | \$6.99 ea |
| 45 | PH612-36 | clear tubing, 1/2" OD x 3/8" ID, faucet fill | 1 | \$1.99/ft |
| 46 | H178 | faucet fill | 1 | \$10.99 ea |
| 47 | G018 | cover, sol tank (sp) | 1 | \$12.99 ea |
| 48 | P732 | sol tank, speedster | 1 | \$0.99 ea |
| 49 | PH628-24 | vac hose, 2" wire reinforced, gray | 2 | \$8.99/ft |
| 50 | H217 | clamp, hose, 2-1/4 dia | 4 | \$1.49 ea |
| 51 | H194 | coupler, 2" dia x 2.5" length, s/s | 2 | \$10.00 ea |
| 52 | H124 | Cuff-Lynx, 2" mpt x 2" female cuff | 2 | \$3.99 ea |
| 53 | PH634-20 | sol hose, 1/4", 300 PSI | 1 | \$6.49 ft |
| 54 | B109 | adapter, brass, 1/4" barb x 1/4" mpt | 2 | \$1.99 ea |
| 55 | H256 | screw, 10-32 x 3/4" phil pan head, zinc | 4 | \$0.99 ea |
| 56 | H484 | plate, mounting, QD | 1 | \$4.99 ea |
| 57 | AH203 | hose, pulse BLK 49"(OAL), 1/4"fswl x 1/4"fswl | 1 | \$19.99 ea |
| 58 | C313C | regulator, 450 psi, silver spring | 1 | \$86.99 ea |
| 59 | B135 | tee, brass, 1/4" mpt | 1 | \$5.49 ea |
| 60 | B102 | qd, brass, 1/4" f x 1/4" fpt | 1 | \$17.99 ea |
| 61 | B656 | ball valve, 1/4" | 1 | \$13.49 ea |
| 62 | B170 | ferrule, 1/4" brass | 2 | \$0.99 ea |

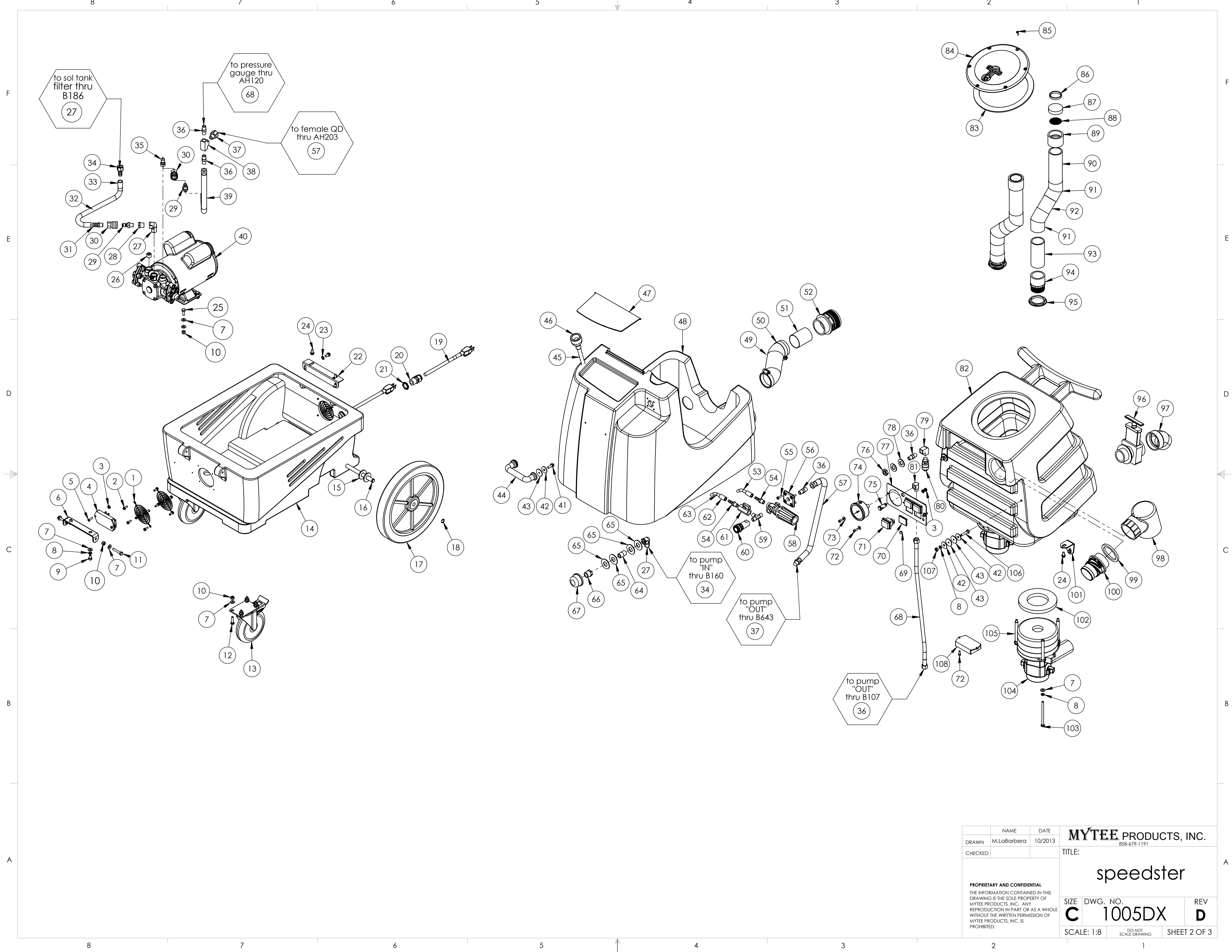
| ITEM NO. | PART NO. | DESCRIPTION | QTY. | MSRP |
|----------|----------|---|------|-------------|
| 63 | PH634-36 | sol hose, 1/4", 300 PSI | 1 | \$6.49 ft |
| 64 | B216 | nipple, brass, 3/8" x close | 1 | \$1.99 ea |
| 65 | H299 | washer, 11/16" id x 1-1/2" od x .075, s/s | 4 | \$0.99 ea |
| 66 | B210 | bushing, brass, 1/2"mpt x 3/8" fpt, hex | 1 | \$2.49 ea |
| 67 | B119A | filter, strainer, 1/2" | 1 | \$6.49 ea |
| 68 | AH120 | sol hose, 1/4" x 24 1/2", (OAL), f x fsw, 3000psi | 1 | \$35.99 ea |
| 69 | H422 | plug, dome 3/8", black | 2 | \$1.00 ea |
| 70 | P967A | plug | 1 | \$1.99 ea |
| 71 | E515 | switch, rocker, 2 position | 3 | \$13.99 ea |
| 72 | H389 | screw, 10-32 x 1/2" SHCS, alloy | 4 | \$0.99 ea |
| 73 | H612 | Washer, #8, flat regular | 3 | \$0.99 ea |
| 74 | H308D | gauge, pressure, 2000 PSI | 1 | \$38.99 ea |
| 75 | E512B | light, indicator, 125v (amber) | 1 | \$9.99 ea |
| 76 | B156 | nut, 1/4" npt | 1 | \$1.99 ea |
| 77 | H337 | plate, switch,1003DX, 1005DX | 1 | \$8.99 ea |
| 78 | H212 | flat washer, 9/16"ID x 1 1/16"OD | 2 | \$0.99 ea |
| 79 | B207 | elbow, brass, 90 deg, 1/4" fpt x 1/4" fpt | 1 | \$5.99 ea |
| 80 | E373 | level switch, vacuum shut-off, rear threads | 1 | \$13.99 ea |
| 81 | B103 | elbow, brass, 90 deg, 1/4"mpt x 1/4" fpt | 1 | \$4.49 ea |
| 82 | P733 | vac tank, speedster | 1 | \$190.99 ea |
| 83 | G091 | gasket, 7", vac lid | 1 | \$11.99 ea |
| 84 | G090 | lid, vac tank, clear, 7" | 1 | \$36.99 ea |
| 85 | H304 | screw, #8 x 5/8 phil oval, s/s | 6 | \$0.99 ea |
| 86 | PH633-1 | pipe, pvc, 1-1/2" | 2 | \$4.99 ft |
| 87 | G003 | filter, foam, 2" x .50" o.d. | 2 | \$1.99 ea |
| 88 | G097 | screen, mesh filter, 1-1/2" dia | 2 | \$4.99 ea |
| 89 | P502 | adapter, 1.5" pvc, fslip x fslip | 2 | \$5.00 ea |
| 90 | PH633-06 | PIPE, 1-1/2" x 6" PVC | 2 | \$4.99 ft |
| 91 | P503 | adapter, 1.5" pvc, 45 deg, fslip x fslip | 4 | \$3.29 ea |
| 92 | PH633-03 | pipe, pvc, 1-1/2" | 2 | \$4.99/ft |
| 93 | PH633-4 | pipe, pvc, 1-1/2" | 2 | \$4.99/ft |
| 94 | P520 | adapter, pvc, 1-1/2" mpt x 1-1/2" fms | 2 | \$2.99 ea |
| 95 | H314 | nut, lock, 1-1/2", steel | 2 | \$1.99 ea |
| 96 | H225 | valve, drain, 1-1/2" | 1 | \$20.99 ea |
| 97 | H226 | spout, drain, 45 degree | 1 | \$3.19 ea |
| 98 | A926 | elbow, inlet assembly 2" | 1 | \$15.99 ea |
| 99 | G083 | gasket, 2" inlet | 1 | \$2.49 ea |
| 100 | H135 | Cuff-Lynx, 2" m cuff x 2" mpt | 1 | \$3.99 ea |
| 101 | H390A | bracket, "L" | 2 | \$6.99 ea |
| 102 | G004 | gasket, vacuum motor | 2 | \$8.99 ea |
| 103 | H096 | bolt, hex, 1/4-20 x 4", zinc Finish | 6 | \$0.99 ea |
| 104 | C302A | vac motor, 3-stage hp, 120V, 145" | 2 | \$148.99 ea |
| 105 | H503 | vac support, 3 stage, 3.25", no thrds | 6 | \$3.99 ea |
| 106 | H203 | bolt, 1/4-20 x 1-1/4" | 2 | \$0.99 ea |
| 107 | H215 | nut, hex, 1/4-20 s/s | 2 | \$0.99 ea |
| 108 | E564 | controller, circuit light | 1 | \$62.99 ea |

ITEMS NOT SHOWN

| PART NO. | DESCRIPTION | QTY. | MSRP |
|----------------|--|------|------------|
| G008 | piglet filet | 1 | \$6.29 pak |
| H375 | hanger, wire formed, hose | 1 | \$10.99 ea |
| H230 | screw, 10-32 x 1/2" phil pan head, s/s | 2 | \$0.99 ea |
| H141 | Cuff-Lynx, 2" to 1.5" reducer | 1 | \$3.99 ea |
| E530 | power cord, ext 50', 12/3 black | 2 | \$74.99 ea |
| H110 | Cuff-Lynx, 2" hose x 2" fem swivel Cuff-Lynx | 1 | \$3.99 ea |
| AD127 | stop sign, register your product | 1 | |
| ADM-SPEEDSTERS | manual, speedsters | 1 | |



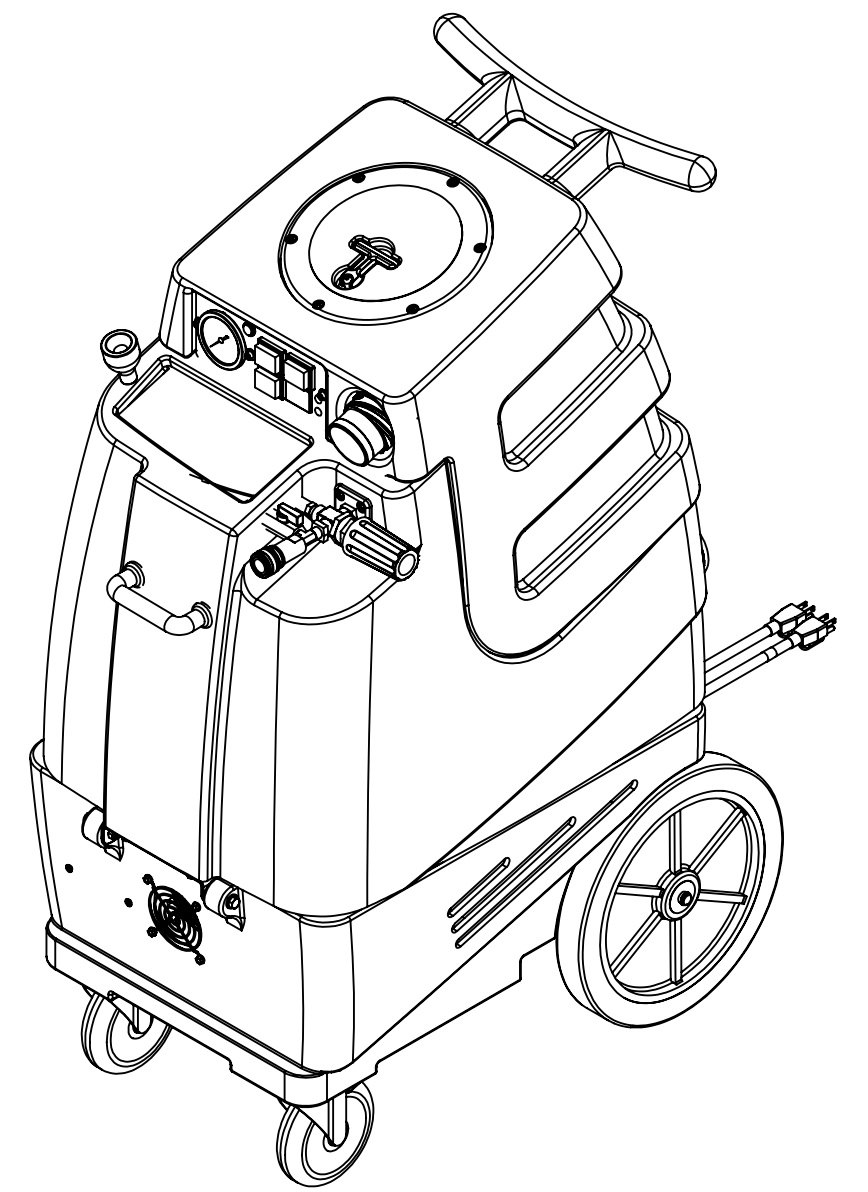
| | | | |
|---|-------------|---|------------------|
| NAME | DATE | MYTEE PRODUCTS, INC. 858-679-1191 | |
| DRAWN | M.LaBarbera | 10/2013 | TITLE: |
| CHECKED | | | speedster |
| <small>PROPRIETARY AND CONFIDENTIAL</small> <small>THE INFORMATION CONTAINED IN THIS DRAWING IS THE SOLE PROPERTY OF MYTEE PRODUCTS, INC. ANY REPRODUCTION IN PART OR AS A WHOLE WITHOUT THE WRITTEN PERMISSION OF MYTEE PRODUCTS, INC. IS PROHIBITED.</small> | | SIZE DWG. NO. C 1005DX | REV D |
| SCALE: 1:8 | | DO NOT SCALE DRAWING | SHEET 1 OF 3 |



| | | | | | |
|---|-------------|---------|---|---------------|----------|
| | NAME | DATE | MYTEE PRODUCTS, INC. 858-679-1191 | | |
| DRAWN | M.LaBarbera | 10/2013 | TITLE: | | |
| CHECKED | | | speedster | | |
| <small>PROPRIETARY AND CONFIDENTIAL</small> <small>THE INFORMATION CONTAINED IN THIS DRAWING IS THE SOLE PROPERTY OF MYTEE PRODUCTS, INC. ANY REPRODUCTION IN PART OR AS A WHOLE WITHOUT THE WRITTEN PERMISSION OF MYTEE PRODUCTS, INC. IS PROHIBITED.</small> | | | SIZE | DWG. NO. | REV |
| | | | C | 1005DX | D |
| SCALE: 1:8 | | | DO NOT SCALE DRAWING | SHEET 2 OF 3 | |

REVISIONS

| REV. | DESCRIPTION | DATE | APPROVED |
|------|---|------------|----------|
| OD | ORIGINAL DRAFT | - | JFL |
| A | REPLACED G003 W G022 | 8/2013 | JFL |
| B | REPLACED H033 W H342, ADDED H210 & H216 | 10/8/2013 | JFL |
| C | G021 REPLACED W G097 | 10/28/2013 | JFL |
| D | REPLACED H219 W H042 | 8/8/2014 | ML |



| | | | | | |
|---|-------------|---------|-----------------------------|----------------------|--------------|
| | NAME | DATE | MYTEE PRODUCTS, INC. | | |
| DRAWN | M.LaBarbera | 10/2013 | 858-679-1191 | | |
| CHECKED | | | TITLE: | | |
| <p>PROPRIETARY AND CONFIDENTIAL THE INFORMATION CONTAINED IN THIS DRAWING IS THE SOLE PROPERTY OF MYTEE PRODUCTS, INC. ANY REPRODUCTION IN PART OR AS A WHOLE WITHOUT THE WRITTEN PERMISSION OF MYTEE PRODUCTS, INC. IS PROHIBITED.</p> | | | speedster | | |
| | | | SIZE | DWG. NO. | REV |
| | | | C | 1005DX | D |
| | | | SCALE: 1:8 | DO NOT SCALE DRAWING | SHEET 3 OF 3 |